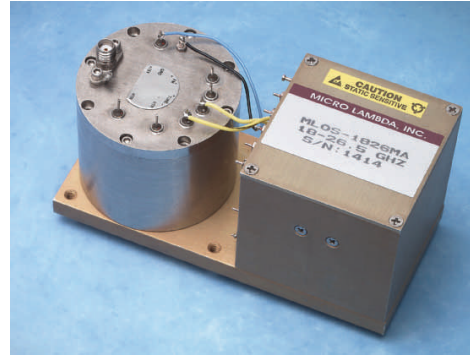


**FEATURES**

- Compensation for Temperature Drift
- Avantek™ Replacements
- 0 to 10 Volt Tuning
- 0 C to +65° C Temperature Range



DRIVER INPUT & RESPONSE	SPECIFICATION ( 0 to + 65 deg. C )
Tuning Command	0 Volts = Lowest Frequency 10 Volts = Highest Frequency
Tuning Accuracy (Note 1) (excluding hysteresis)	See Table
Tuning Speed	2 mSec for 1 GHz step to within +/-10 MHz. Residual FM = 50-100 kHz Pk-Pk
Sweep Speed	25 mSec Up / 10 mSec Retrace for 1 GHz, Linearity = 0.1 % Residual FM = 50-100 kHz Pk-Pk
<b>Main Driver Inputs</b>	
Supply Voltage & Current	+15 V +/- .5 V @ Bias Current + Tuning Current + 50 mA, Max. -15 V +/- .5 V @ 50 mA, (Plus Oscillator -5 Vdc Current if any) Max.
Supply Voltage Pushing	+/- 0.2 MHz Max. @ +/- .5 Vdc
Supply Voltage Ripple	10 mV Ripple Pk-Pk from 2 kHz to 3 MHz
Ground	Chassis Ground
Tuning Input Resistance	> 10 kOhms
Common Mode Rejection	> 40 dB
Heater Voltage Inputs	24 Vdc +/- 4 Vdc @ 300 mA Surge for 2 Sec., 25 mA Steady State Polarity Independent: ±12 Vdc or ±15 Vdc acceptable

Note 1: Accuracy Includes Temp. Drift & Linearity

TM: Avantek is a registered Trademark owned by Agilent Technologies.

**Cylindrical YIG Oscillators with Positive Input Analog Drivers ( 0 C to +65° C )**

Model	Frequency	Accuracy	Current	Current	Outline
Number	GHz	( MHz) **	+15 V	-15 V	Drawing *
MLOS-0502AV	0.5-2.0	+/- 12	250	50	11-080
MLOS-0504AV	0.5-4.0	+/- 16	350	50	11-080
MLOS-0306AV	3.0-6.0	+/- 14	450	50	11-080
MLOS-0408VA	4.0-8.0	+/- 16	550	50	11-080
MLOS-0208AV	2.0-8.0	+/- 24	550	50	11-080
MLOS-0310AV	3.5-10.5	+/- 28	675	100	11-080
MLOS-0412AV	4.0-12.4	+/- 30	780	100	11-080
MLOS-0812AV	8.0-12.4	+/- 25	780	50	11-080
MLOS-1218AV	12.0-18.0	+/- 28	1050	50	11-080
MLOS-0818AV	8.0-18.0	+/- 35	1050	50	11-080
MLOS-0820AV	8.0-20.0	+/- 30	1175	50	11-080
MLOS-1826AV	18.0-26.5	+/- 60	1475	50	11-080
MLOS-1724AV	17.0-24.0	+/- 60	1350	50	11-080

\*\* Accuracy includes frequency drift and linearity errors over the temperature range.

\* Outline with Mu Metal Shield & Clamp # 11-062 also available.

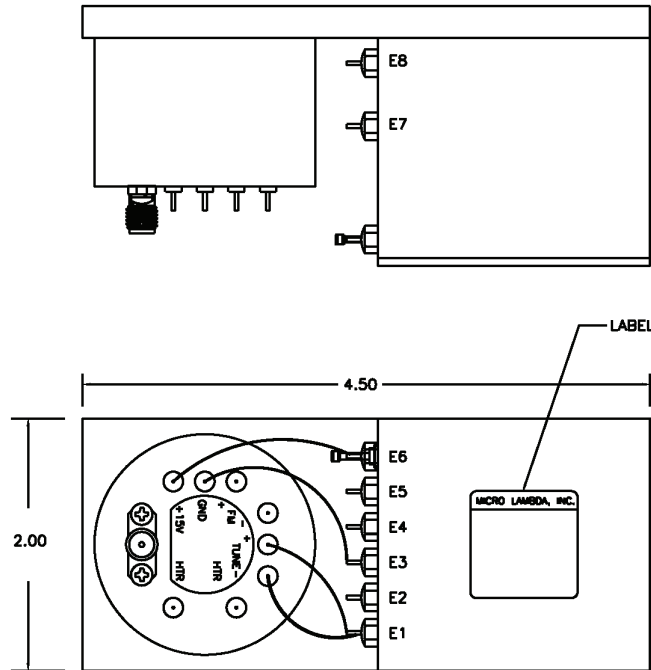
ANALOG DRIVER ELEC. CONN.

CONN	FUNCTIONS
E1	+15V INPUT
E2	-15V INPUT
E3	±15V RETURN (GND)
E4	+TUNE INPUT (0-10V)
E5	-TUNE INPUT (0-10V RTN)
E6	GROUND
HTR	20-28V HTR INPUT
HTR	HEATER RETURN
-FM	- FM TUNING INPUT
+FM	+ FM TUNING INPUT

\* LOCATED ON YIG BODY

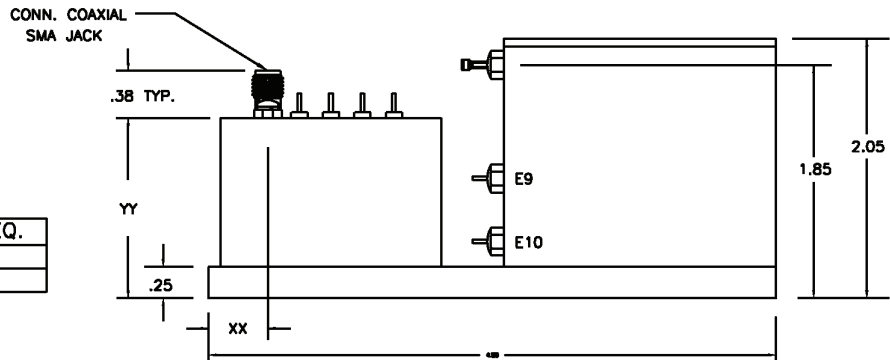
FACTORY CONNECTIONS ONLY

E3	YIG GND TERMINAL	
E7	-5V (YIG)	OPTIONAL
E8	+15V (YIG)	
E9	YIG TUNE COIL (-)	
E10	YIG TUNE COIL (+)	

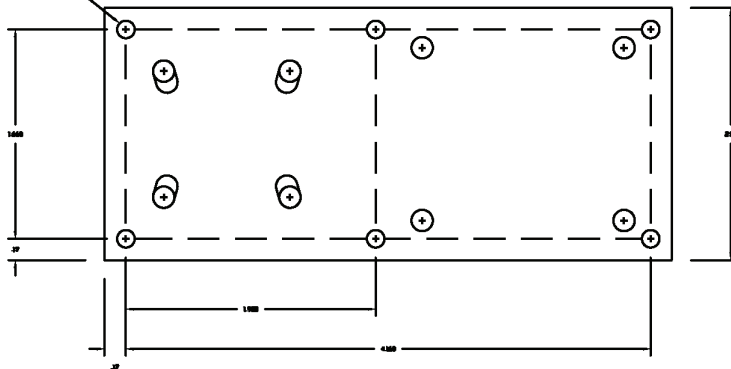


XX & YY DIMENSIONS

	LOW FREQ.	HIGH FREQ.
XX	.56"	.45"
YY	1.42"	1.65"



MOUNTING HOLES  
6-32 UNC x .30 DP MAX  
( 6 PLS )



WEIGHT: 19 Oz.

UNLESS OTHERWISE SPECIFIED DIMENSIONS ARE IN INCHES  
TOLERANCE ARE :  
FRACTIONS    DECIMALS    ANGLES  
#                .XX ±.02  
#                .XXX ±.010

MATERIAL

FINISH

DO NOT SCALE DRAWING

CONTRACT NO.	
APPROVALS	DATE
DRAWN N.NGUYEN	12/18/97
CHECKED	
ISSUED	



MICRO LAMBDA WIRELESS, INC.

OSCILLATOR WITH MILITARY ANALOG DRIVER

SIZE	CAGE No 0RN63	DWG. NO. 11 - 080	REV.
------	------------------	----------------------	------

ANALOG DRIVER ELEC. CONN.

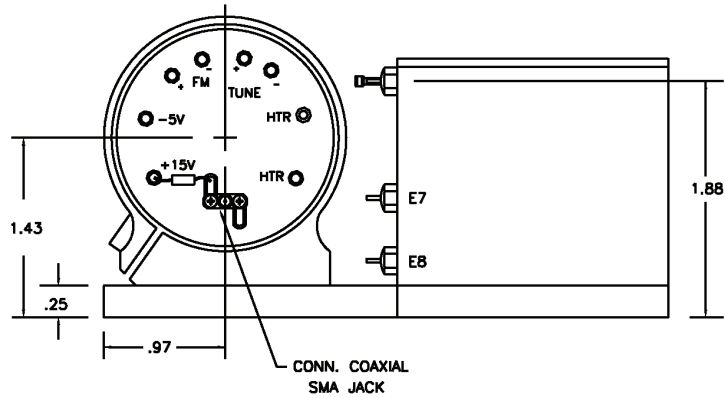
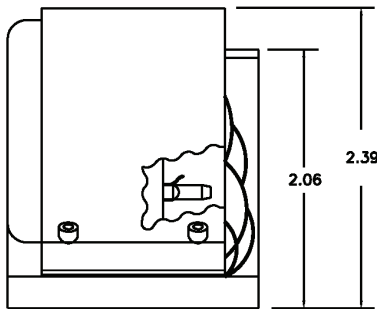
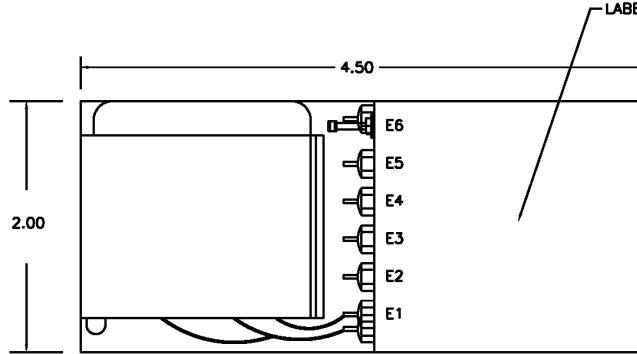
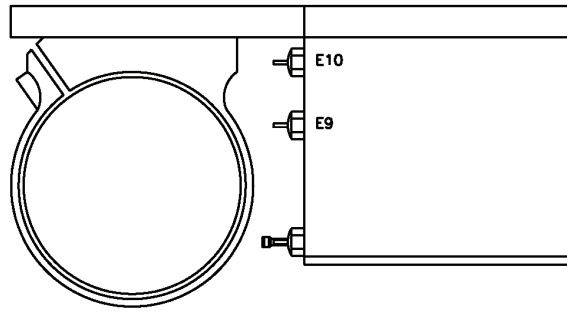
CONN	FUNCTIONS
E1	+15V INPUT
E2	-15V INPUT
E3	±15V RETURN (GND)
E4	+TUNE INPUT
E5	-TUNE INPUT (RTN)
E6	GROUND
HTR	20-28V HTR INPUT
HTR	HEATER RETURN
-FM	- FM TUNING INPUT
+FM	+ FM TUNING INPUT

\*  
\*  
\*  
\*

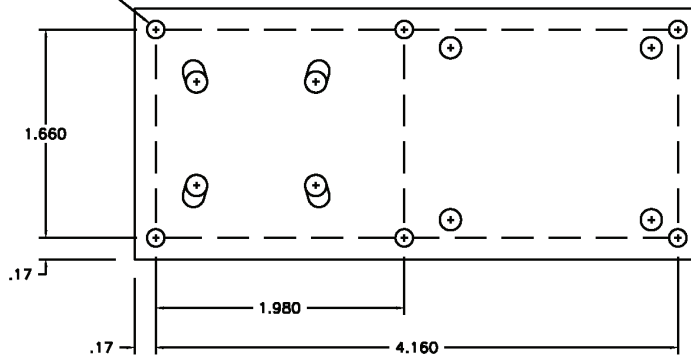
\* LOCATED ON YIG BODY

FACTORY CONNECTIONS ONLY

E7	-5V (YIG)
E8	+15V (YIG)
E9	YIG TUNE COIL ( - )
E10	YIG TUNE COIL ( + )



MOUNTING HOLES  
6-32 UNC x .30 DP MAX  
( 6 PLS )



**WEIGHT: 14 Oz.**

UNLESS OTHERWISE SPECIFIED DIMENSIONS ARE IN INCHES TOLERANCE ARE :		
FRACTIONS	DECIMALS	ANGLES
$\pm$	$\pm .010$	
$\pm$	$\pm .005$	
MATERIAL		
FINISH		
DO NOT SCALE DRAWING		

CONTRACT NO.	
APPROVALS	DATE
DRAWN N. NGUYEN	11/19/98
CHECKED	
ISSUED	



**MICRO LAMBDA WIRELESS, INC.**

**OSCILLATOR WITH OPTION A (-5V) W/ANALOG DRIVER**

SIZE	CAGE No 0RN63	DWG. NO. 11 - 062	REV. B
------	------------------	----------------------	-----------